

Powerdot MINI

□ 935-PM50W

■ 935-PM50



- A** - Installation into round hole
B - Installation into tailored hole

CONTENT:

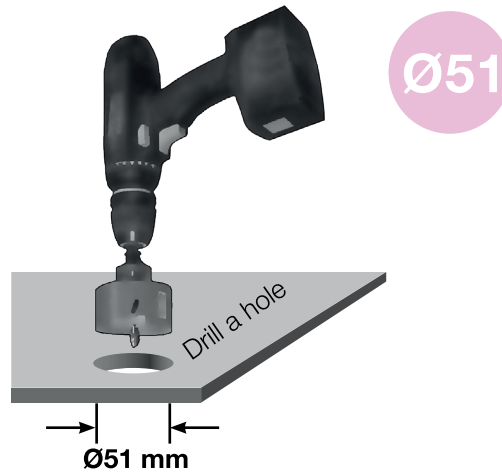


x1

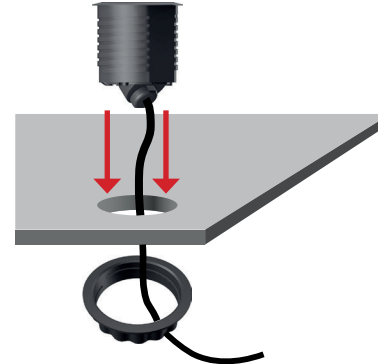


x1

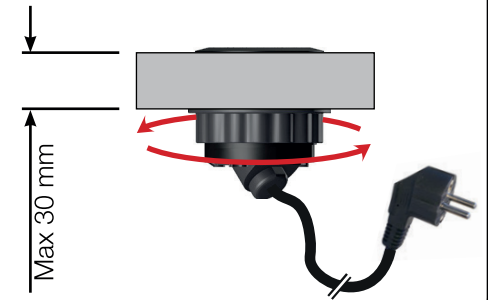
- 1A** DRILL
 Drill a hole in the table.



- 2A** INSERT
 Insert Powerdot into the hole and feed the power plug through the plastic fastening bolt. (Without using the cable clips, as seen in the illustration).



- 3A** TURN CLOCKWISE & PLUG IN
 Turn the plastic fastening nut as far up the thread as possible. Make sure it has been thoroughly tightened. Lastly, plug the Schuko plug into the wall socket.

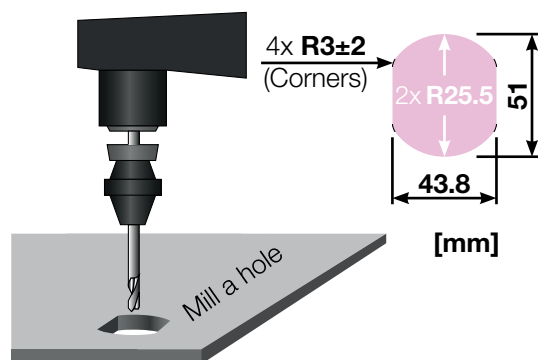


- 1 Schuko socket

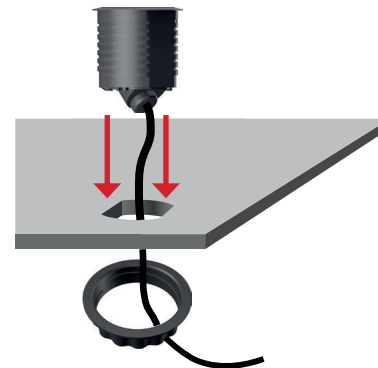
- 1.5 meter cable



- 1B** MILL
 Mill a hole in the table.



- 2B** INSERT
 Insert Powerdot into the hole and feed the power plug through the plastic fastening bolt. (Without



- 3B** TURN CLOCKWISE & PLUG IN
 Turn the plastic fastening nut as far up the thread as possible. Make sure it has been thoroughly tightened. Lastly, plug the Schuko plug into the wall socket.

