

Powerdot MIDI

- 935-PM61W
- 935-PM61



- A** - Removable installation
- B** - Permanent installation

CONTENT:



x1



x1



x2

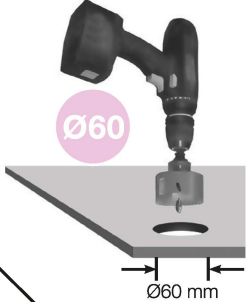


- 1 **USB Charger**
(QC2.0: 5V 2A / 9V 1.2A / 12V 1A)



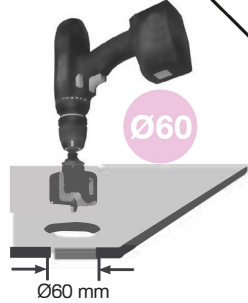
- 1 **Schuko socket**
/w 1250 mm cable

1A DRILL
Drill a hole in the table



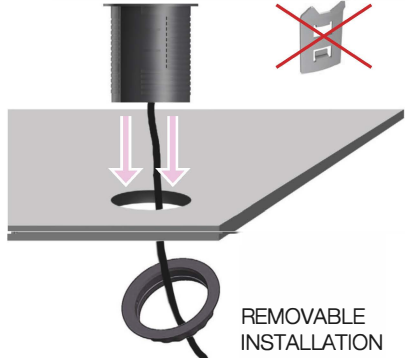
Ø60 mm
REMOVABLE INSTALLATION

1B DRILL
Drill a hole in the table



Ø60 mm
PERMANENT INSTALLATION

2A INSERT
Insert Powerdot into the hole and feed the power plug through the plastic fastening nut (without using the cable clips).



REMOVABLE INSTALLATION

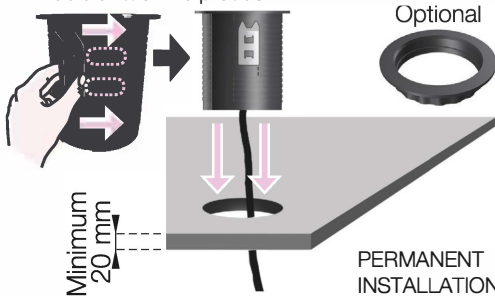
3A TURN CLOCKWISE & PLUG IN
Turn the plastic fastening nut as far up the thread as possible. Make sure it has been thoroughly tightened. Lastly, plug it in to the wall socket.



52 mm maximum

2B ATTACH & INSERT (NON REMOVABLE)
Attach clips by guiding them into the side tracks. The clips will keep the product in place without the fastening nut. Push the Powerdot all the way down the hole. Lastly, plug it in to the wall socket.

NOTE! Once inserted, removing the product will prove to be very difficult without damaging the table and/or the product.

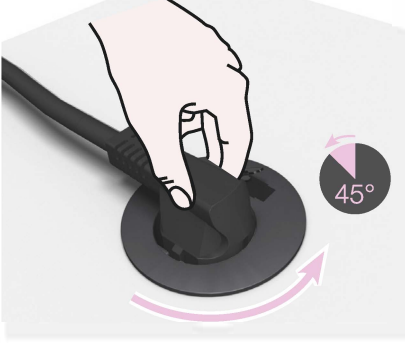


Optional

Minimum 20 mm
PERMANENT INSTALLATION

HOW TO REMOVE (WITH CLIPS)
To increase your chances of removing once installed with clips, turn the grommet clockwise. Until the clips re-position and loosen up.

NOTE! The table or product might get damaged during the process.



45°

PULL UPWARDS
If you successfully loosened up the clips. Pull upwards until fully removed.

